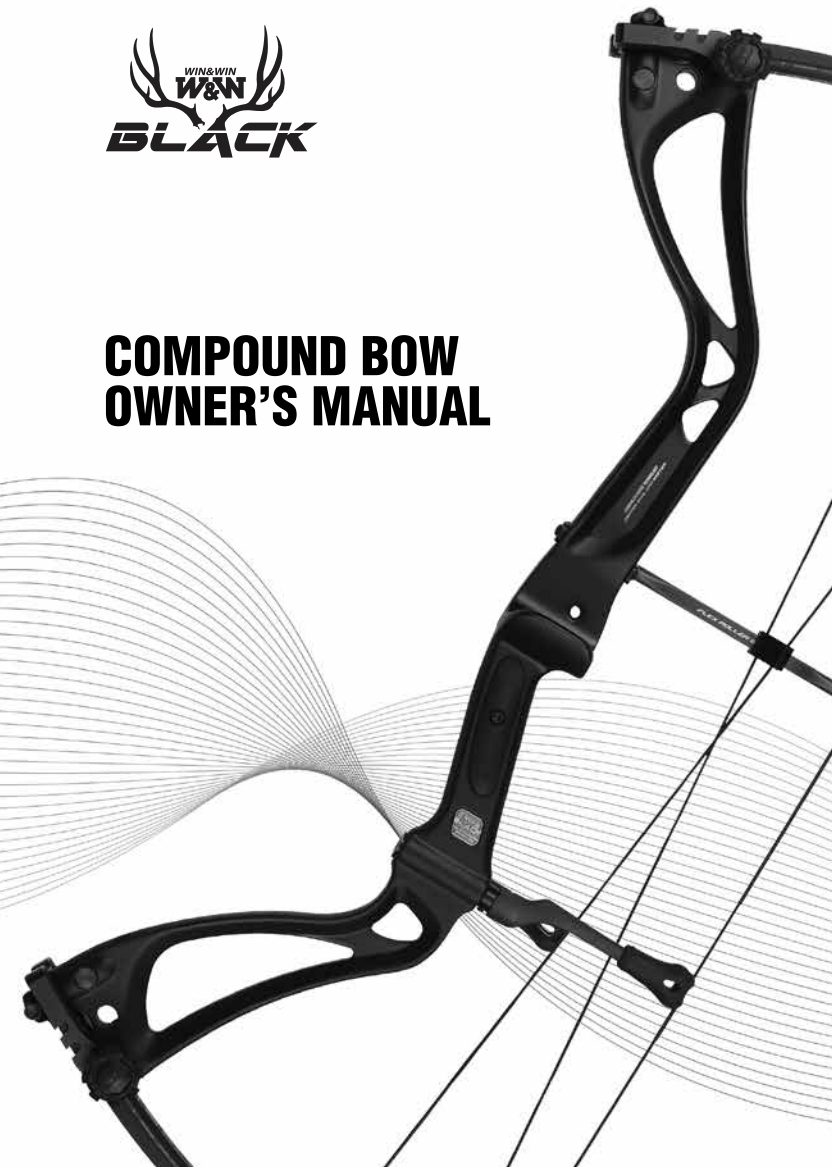




COMPOUND BOW OWNER'S MANUAL



WIN&WIN BLACK Bow Owner's Record

WIN&WIN Bow Model _____

Dealer Name _____

Dealer Address _____

Dealer Phone Number _____

Purchase Date _____

Draw Length _____ Draw Weight _____

String Length _____ Buss Cable Length _____

Timing Cable Length _____

Tune # _____

Attach Sales Receipt Below

(Proof of Purchase will be required for warranty service if necessary)



INDEX

Bow Owners Record	2
Introduction	4
Bow Terminology	5
Safety Instruction	7
Bow Setup	10
TLI Cam with Draw Length Adjustment	12
TLI Cam with Timing Adjustment	14
Bow Maintenance	16
Warranty and Service	17

INTRODUCTION

Thank you for purchasing a WIN&WIN bow. Your bow has been manufactured with the highest quality components and materials available, and with reasonable care will provide you with years of dependable service whether your interests are recreational shooting, serious competition or bowhunting.

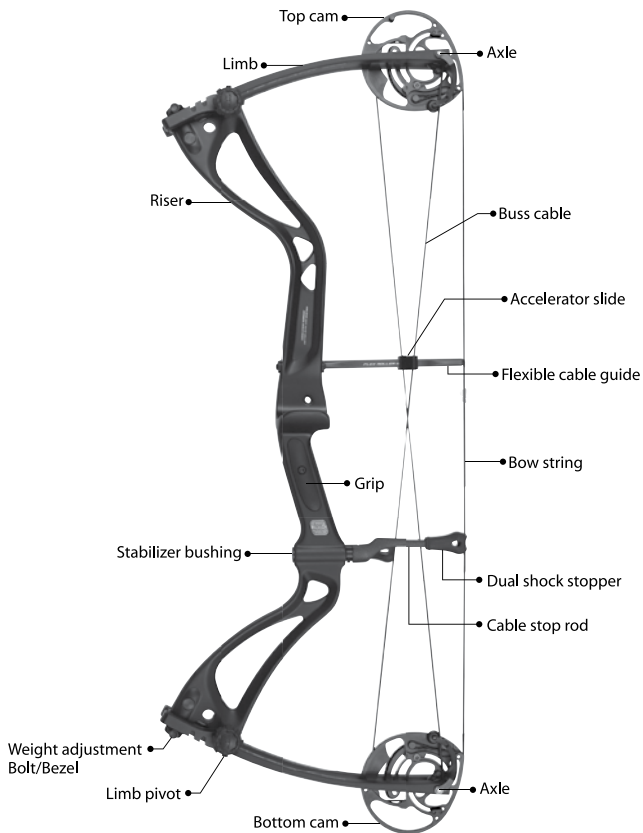
Before you begin set-up and shooting, read this manual thoroughly and understand it completely. Without proper knowledge and instruction you could damage your bow and cause injury to yourself and others. Save this manual for future reference.

Every effort has been made to ensure that the photographs and descriptions in this manual are accurate. However, with our continuing effort to provide the best possible products, change in materials or design may result before a new manual can be published. WIN&WIN reserves the right to modify or change product specifications and information contained in owner's manuals without notice.

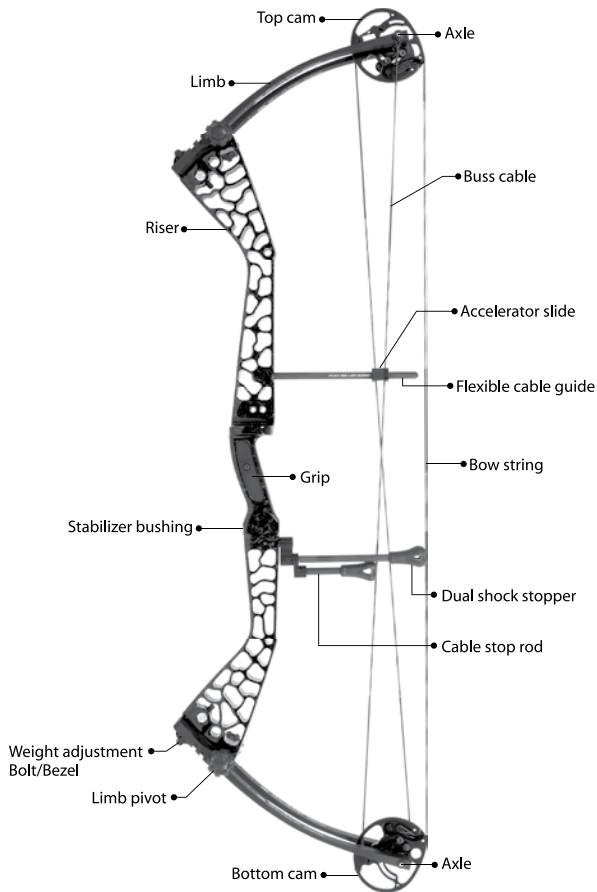
WIN&WIN shall not be liable for technical or editorial omission or mistakes, nor shall it be liable for incidental or consequential damage resulting from use of the information contained in this manual.

This manual contains confidential and proprietary information and is copyrighted. All rights reserved. No part of this manual may be reproduced without prior written consent of WIN&WIN. If any portion of this manual is unclear or poses any doubt, contact your local WIN&WIN Black bow dealer or an official distributor.

HURRICANE TERMINOLOGY



DRAGONFLY TERMINOLOGY





SAFETY INSTRUCTIONS

The safety tips below provide important information to understand and follow. Take note, however, this is only a partial listing of safe practices. We recommend you consider enrolling in a state sponsored hunter safety course as well as the National Bowhunter Education Foundation's bow-hunting safety course before shooting or going afield.

Your bow is a powerful instrument and should be treated with the respect due that of any sporting arm.

1. NEVER DRY FIRE YOUR BOW

Shooting your bow without an arrow to absorb the bow's energy can cause serious damage to the bow and possible injury to the shooter and/or others. Let the bow down slowly and carefully from any drawn position. Never draw the bow with a release aid without an arrow nocked on the string and pointed in a safe direction.

2. NEVER EXPOSE YOUR BOW TO EXTREME HEAT

An automobile trunk or backseat on a sunny hot day may damage your bow. Extreme heat can damage the limbs of your bow as well as the cables and bowstring. Prolonged extreme damp is also not good for your bow. If your bow gets wet, carefully dry it, re-lubricate metal parts, and wax the bowstring and cables. Store your bow in a cool, dry and clean environment when not in use.

3. INSPECT YOUR BOW BEFORE EACH USE

Carefully examine the condition of the bowstring, cables, limbs, and riser before shooting. Frayed strings and cables should be replaced immediately. Damaged, cracked or suspect limbs should be reported to your local dealer or WIN&WIN Black Customer Service Department for inspection and replacement if needed.

SAFETY INSTRUCTIONS

4. INSPECT YOUR ARROWS

Before and during each shooting session, inspect your arrows for damage. Inspect arrow shafts for serious dents or any cracks. Flex carbon arrows slightly to reveal unseen cracks. Replace damaged nocks or loose fletching.

5. CHECK YOUR RANGE AREA BEFORE SHOOTING

Make sure the target and backstop you use is large enough to stop a stray arrow and that arrows cannot pass through either. Be sure your range is positioned away from dwellings and people. Remember, an arrow can glance off a target and travel a great distance. Check local ordinances before setting up your range or shooting.

6. DON'T OVER-BOW YOURSELF

Choose a bow that you can comfortably draw while continually pointing toward your target. If you must point your bow upward in order to draw, the draw weight is set too heavy for you! Drawing your bow in this manner is a reckless practice that puts others in danger! If your release aid should malfunction during draw the arrow would be launched dangerously skyward – destination unknown.

7. NEVER SHOOT AN ARROW STRAIGHT UP

An arrow shot straight up will come down. Wear safety glasses when servicing or shooting your bow. Do not draw the bow beyond its maximum draw length. Never point or aim a drawn bow at anything you do not intend to shoot. Children, when shooting, must be supervised at all times by a responsible adult.

8. FOLLOW THE MANUFACTURER'S RECOMMENDATIONS FOR ARROW SELECTION

Never shoot an arrow that weighs less than five grains per pound of draw weight. WIN&WIN is not responsible for injuries sustained when using an altered or modified WIN&WIN bow.

2015 WIN&WIN BOW MODELS

WIN&WIN BOWS QUICK REFERENCES GUIDE

	IBO Speed	Axle to Axle	Mass Weight	Brace Height	Weight Range	Draw Lengths	
						TLI-1 Cam	TLI-2 Cam
HURRICANE C6	320+	31"	3.5 lbs	6 $\frac{3}{4}$ "	40-50-60-70	23 $\frac{1}{2}$ "-27"	25 $\frac{1}{2}$ "-29"
HURRICANE	320+	31"	4.85 lbs	6 $\frac{3}{4}$ "	40-50-60-70	23 $\frac{1}{2}$ "-27"	25 $\frac{1}{2}$ "-29"
SHADOW	320+	32"	3.2 lbs	7 $\frac{1}{8}$ "	40-50-60-70	24"-28"	27 $\frac{1}{2}$ "-30 $\frac{1}{4}$ "
	320+	34"	3.4 lbs	7 $\frac{1}{4}$ "	40-50-60-70	25"-29"	27 $\frac{3}{4}$ "-31 $\frac{1}{8}$ "
DRAGONFLY	310+	38"	4.2 lbs	7 $\frac{3}{4}$ "	40-50-60-70	25"-30"	27"-32"
	310+	40"	4.2 lbs	7 $\frac{1}{2}$ "	40-50-60-70	25"-30"	27"-32"
BLAST	315+	32"	3.7 lbs	7 $\frac{1}{2}$ "	40-50-60-70	24"-28"	27 $\frac{1}{2}$ "-30 $\frac{1}{4}$ "
	310+	34"	3.9 lbs	7 $\frac{3}{4}$ "	40-50-60-70	25"-29"	27 $\frac{3}{4}$ "-31 $\frac{1}{8}$ "
	310+	38"	4.4 lbs	8"	40-50-60-70	25"-30"	27"-32"

	Riser Length	Brace Height	Bow Length	Mass Weight
BLACK WOLF	17"	7"	58-60-62	2.5 lbs
	* Limbs Length : 58", 60", 62" on 17" Riser		* Available Weight : 35~65lbs	

WIN&WIN BOWS FEATURED TECHNOLOGIES

	Posi-lock Limb Pocket System	Flexible Cable Guide	Accelerator Slide	Hard Core Limbs	Rotating Module System	Carbon Rod Dual Head String Stop	TLI-1 Cam	TLI-2 Cam
HURRICANE C6	•	•	•	•	•	•	•	•
HURRICANE	•	•	•	•	•	•	•	•
SHADOW 32"			•	•	•	•	•	•
SHADOW 34"			•	•	•	•	•	•
BLAST 32"				•	•		•	•
BLAST 34"				•	•		•	•
BLAST 38"				•	•		•	•
DRAGONFLY 38"		•	•	•	•	•	•	•
DRAGONFLY 40"	•	•	•	•	•	•	•	•

BOW SET-UP

ARROW RESTS

Arrow rests generally fall into three categories: shoot around, shoot through, or fall away. Finger shooters should choose a shoot around style, and release shooters should select a shoot through or a fall away arrow rest. Hunters should choose a simple reliable and quiet drawing rest. Target archers may opt for a rest with easy precision adjustment for advanced tuning. Seek the advice of a professional about what arrow rest will best fit your needs. Your WIN&WIN dealer should be of help.

NOCKING POINT INSTALLATION

A nock point is a positive reference stop mounted on the bowstring to locate the position of the arrow's nock, shot after shot, and is attached to the string above the arrow's nock. The positioning of the nock set is also used in the bow tuning process. To install a crimp style nock-set, slip the open end over the string serving and crimp with nock pliers. For finger shooting, position the nocking point $3/16$ " above 90 degrees, and for release shooting, position the nocking point at 90 degrees. String loops are popular today with release shooters. String loops not only provide a nocking point but also a vertical area in the string for a positive arrow nock and grip, and equalize the pressure for the release above and below the arrow nock. Location of the loop is easily changed by screwing the loop assembly up or down the string's serving. Care must be taken when installing a string loop. Improper mounting will result with the loop pulling out under the pressure of drawing the bow. For best results, have your string loop professionally installed by your WIN&WIN bow dealer.

TILLER ADJUSTMENT

Tiller is the difference in distance between the upper limb to the string and the lower limb to the string measured from the base of the limb (where the limb and the riser meet) at a 90 degree angle to the string.

Today, most compound bows will shoot best with even, or near even tiller. Tiller is adjusted with the upper and lower weight adjustment bolts. Turning the bolts clockwise will shorten the tiller measurement – counter clockwise will lengthen it. Set the tiller at equal measurements for initial set-up.



DRAW WEIGHT ADJUSTMENT

Once the tiller has been set, the initial draw weight may be adjusted. Poundage will be increased by clockwise turns of the upper and lower weight adjustment bolts and decreased with counter-clock turns. Always adjust each bolt evenly. One full turn of each weight adjustment bolt will vary the poundage by approximately four (4) pounds. Your WIN&WIN bow may be safely adjusted down from peak weight by approximately ten (10) pounds or three (3) complete revolutions on each weight adjustment bolt. Do not exceed this amount. It is generally accepted that compound bows perform best on the top side of their poundage range. For example: if your desire is to shoot your bow at 60 pounds, choose a model adjustable from 50 to 60 pounds, not 60 to 70 pounds.

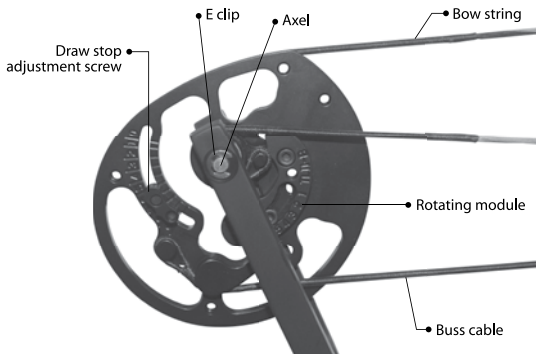
CENTER SHOT

Center shot is the alignment of the arrow to the travel path of the bowstring. Changing the alignment is achieved by moving the arrow rest left or right. Finger shooters should begin by adjusting the arrow rest so the arrow's point is slightly to the left outside the travel path of the string (for right handed archers. Left handed archers should do the opposite). Release shooters should line up the point of the arrow directly in line with the part of the string.

FLETCHING CLEARANCE

The final initial set-up procedure is to adjust your arrow nocks for proper fletching clearance. With this clearance, the arrow will pass cleanly by or through the arrow rest without affecting its flight. Without clearance, the arrow's fletching will impact the rest so severely that its flight will be altered and disrupted. Do not attempt to begin final bow tuning until adequate fletching clearance is achieved. With an arrow nocked on the bowstring, sight from behind and turn your arrow nock until visual clearance is achieved. Clearance may be verified by spraying baby powder on your arrow's fletching and shooting a few shots. Contact on the rest will be evident on the powder if clearance is not being achieved. Seek the help of your WIN&WIN bow dealer if you are unsure that you have achieved proper clearance.

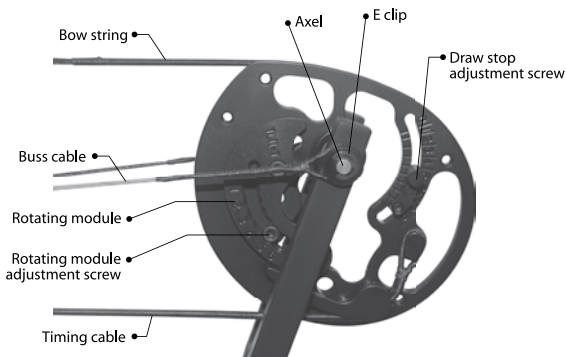
TLI CAM with DRAW LENGTH ADJUSTMENT



► BOTTOM CAM ◀

Your new W&W black bow should be tuned and set at the desired draw length from the factory or by your pro shop dealer. If adjustments need to be made the TLI cam system is very easy to adjust in draw length, valley and let-off. Before shooting your new bow; check and see that the upper and lower modules and stops are on the same numbers. Reference the numbers on your modules to your bow model and draw length chart. The bow should draw smoothly and the cams should stop at the same time when you reach full draw.

The rotating modules can be adjusted without a bow press. Each number represents $\frac{1}{2}$ inch of draw length; #1 being the shortest and #9 being the longest. Example: Dragonfly 40" TLI-2 cam set 27.5" on module number 5 and draw stops set on 5. To shorten $\frac{1}{2}$ inch; set modules on 4 and draw stop on 4. To lengthen $\frac{1}{2}$ inch; set modules on 6 and draw stop on 6. This is the major adjustment. To make minor

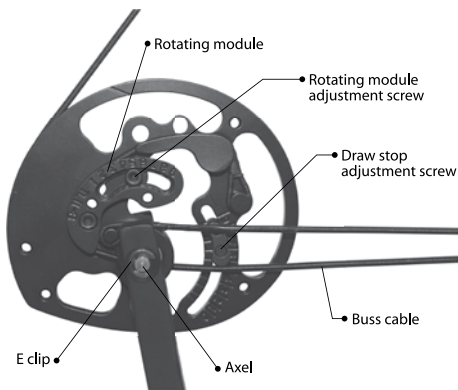


► TOP CAM ◀

adjustment use the draw stop in the same manner lower number direction to shorten and higher number direction to lengthen. The draw stop adjustment will also set the desired valley and let-off for individual preference. Higher numbers are more valley and let-off; lower numbers are shorter valley and less let-off.

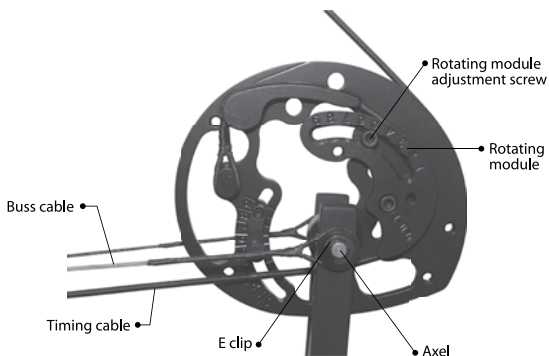
Always start with the modules and stops being on the same numbers. Changing the modules and stops will not change the timing; although the module and stop numbers should always match top to bottom cam. **The shortest draw length on each bow model and cam is obtained by setting the bow string on the inner post of both cams**

TLI CAM with TIMING ADJUSTMENT



► BOTTOM CAM ◀

When receiving your new W&W compound bow; the cams should be properly timed and the draw length and weight set to your personal preference. Before shooting; check to see that the modules and the cable stops have matching numbers top to bottom and are tightened properly. After installing nocking point (loop) and arrow rest; put an arrow on the string and pull to full draw.(Make sure you are in a safe area and close to the target). When reaching full draw; notice if the stops hit the cables at the same time. Even though the bow was timed at the factory or pro shop; the location of the nocking point and your hand on the riser can slightly change the timing for your style of shooting. When making cable adjustments on the cams ; always adjust the bottom cam and cable 1st for precise draw length setting. The next step is to adjust the upper cam and cable to match the bottom cam. Twisting the cable in the same direction will delay the rotation of the cam and untwisting will increase the



► TOP CAM ◀

rotation. So if the bottom cam hits the stop last at full draw; the top cam cable needs positive twists to match. (The cable adjustments are made by removing the cable from the lower post of each cam). ****It is best to use a good bow press when making cable adjustments to your bow**** Once you have made the cable adjustment ; redraw the bow and see if the stops hit at the same time. If not; continue to adjust timing cable until matched. Once timing is achieved ; adjustment can be made to modules and stops and bow will remain timed.

Retiming bow is usually not necessary until new strings and cables are installed. A properly timed and tuned bow will aid in your accuracy and enjoyment of the spot.

BOW MAINTENANCE

Your bow is a mechanical device and as such, is subject to wear and need of periodic inspection, adjustment, and service. Schedule a professional maintenance inspection with your local dealer at least once a year. Limbs, wheel bushings, spacers, cables, string, axles, e-clips, riser and fasteners should be inspected for excessive wear, lubrication and/or replacement if necessary.

STRING AND CABLES

String wax should be applied to the cables and bowstring on a regular basis. Apply the wax liberally and rub in completely with your fingertips or small leather pad to fully penetrate and lubricate the synthetic fibers. Re-treat often during normal shooting or immediately after hunting in rainy weather.

LUBRICATION

The TL cam systems feature self-lubricating bushings and do not require lubrication. Cable guards and string stoppers should be kept clean but not lubricated. After hunting in adverse conditions, dry your bow thoroughly and apply a light coat of Teflon based oil to exposed steel fasteners. Never use WD-40 or similar lubricants on your bow as they contain solvents that will attack bushings, spacers, grips and the finish of your bow.



WARRANTY

WIN&WIN warrants its bows against defects arising from faulty workmanship and/or defective materials for the lifetime of the product. The lifetime warranty applies to components such as risers, wheels and cams. Limbs are warranted for three years. Strings, cables are not warranted. Any attempt to alter, dismantle or change the standard specifications of the bow, other than specified in the instruction booklet, will void warranty. This warranty is made to the original owner of the bow and is not transferable. The purchaser must complete the product warranty card within 15 days of the purchase date to validate the warranty.

WIN&WIN's warranty obligation is limited to the repair or replacement of products that are determined by WIN&WIN not to be functioning satisfactorily. WIN&WIN reserves the right to require proof of purchase to support warranty claims. We assume no liability for any incidental or consequential damages or incidental expenses. No warranty is made, or authorized to be made by any of our dealers, distributors, or representatives other than those expressly contained herein



WIN&WIN Co., Ltd

19 Donghanggongdan-gil, Yangseong-myeon, Anseong-si, Gyeonggi-do, 456-931 KOREA
TEL. +82 31 671 0894 FAX. +82 31 671 0895 E-MAIL. win@win-archery.com www.winandwinblack.com

USA DISTRIBUTORS LANCASTER ARCHERY SUPPLY

21 Graybill Road Leola Pa. 17540 TEL. 1800-829-7408 E-MAIL. custserv@lancasterarchery.com

CARBON TECH (CORPORATE HEADQUARTERS)

549 E Silver Creek Rd Gilbert, AZ 85296 PHONE & FAX. 800-951-8736

WIN&WIN EUROPE

90/5 Boulevard Saint Michel 91150 Etampes, France
TEL. +33 1 64 92 97 45 E-MAIL. marc.rouget@winwin-europe.com